

DO NOT SCALE

NOTES

1. ALL DIMENSIONS IN METRES UNLESS OTHERWISE STATED.
2. TRAFFIC SIGN DIAGRAM NUMBERS ARE IN ACCORDANCE WITH THE TRAFFIC SIGNS REGULATIONS AND GENERAL DIRECTIONS 2016.
3. FINAL DESIGN IS SUBJECT TO FURTHER DEVELOPMENT UPON RECEIPT OF ADDITIONAL SURVEY INFORMATION & ARCHITECT'S PROPOSALS.
4. EXISTING TREES HAVE BEEN OMITTED FOR CLARITY.
5. ARCHITECT'S PROPOSALS FOR FACULTY OF SOCIAL SCIENCES DEVELOPMENT BASED ON HLM ARCHITECTS DRAWING 'FSS-HLM-V0-00-DR-L-00001'.
6. ARCHITECT'S PROPOSALS FOR THE NORTHUMBERLAND ROAD BUILDING BASED ON BOND BRYAN ARCHITECTS DRAWING 'NRB-00-XX-DR-A-0002'

REV	DATE	BY	DESCRIPTION	CHK	APP
P04	07/04/2021	JLG	INITIAL SCC COMMENTS ADDRESSED	SP	SP
P03	25/01/2020	JLG	FSS HUB PROPOSALS REVISED & GOODWIN SPORTS HALL PROPOSALS ADDED	SP	SP
P02	14/01/2020	JLG	ISSUED TO SCC FOR COMMENT	SP	SP
P01	05/12/2019	JLG	FIRST ISSUE	SP	SP

DRAWING STATUS: S1- FOR COORDINATION



Three White Rose Office Park, Millshaw Park Lane, Leeds, LS11 0DL UK
T+ 44 (0) 113 395 6200, F+ 44 (0) 113 395 6201
wsp.com

CLIENT: UNIVERSITY OF SHEFFIELD

ARCHITECT: HLM ARCHITECTS

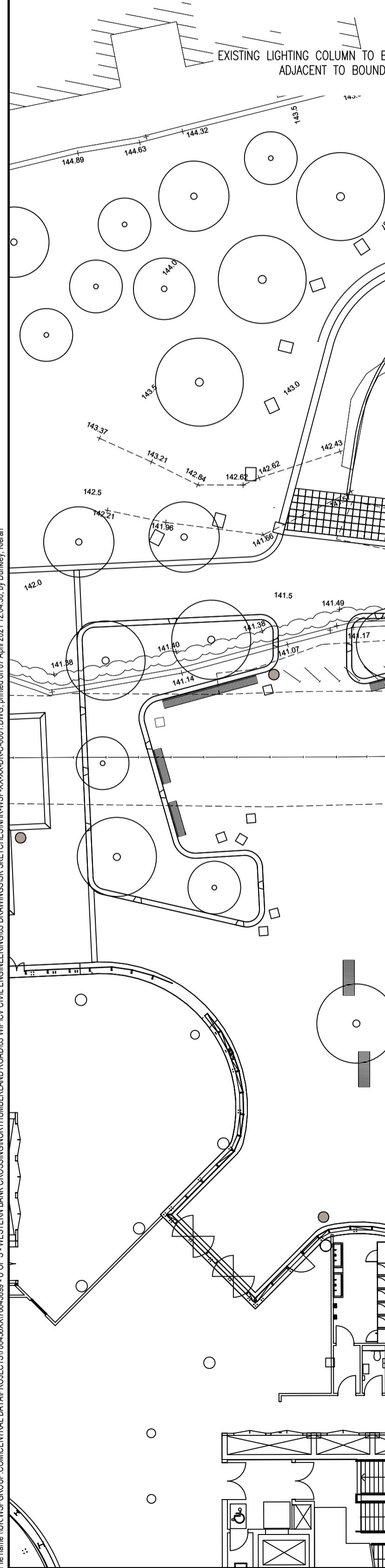
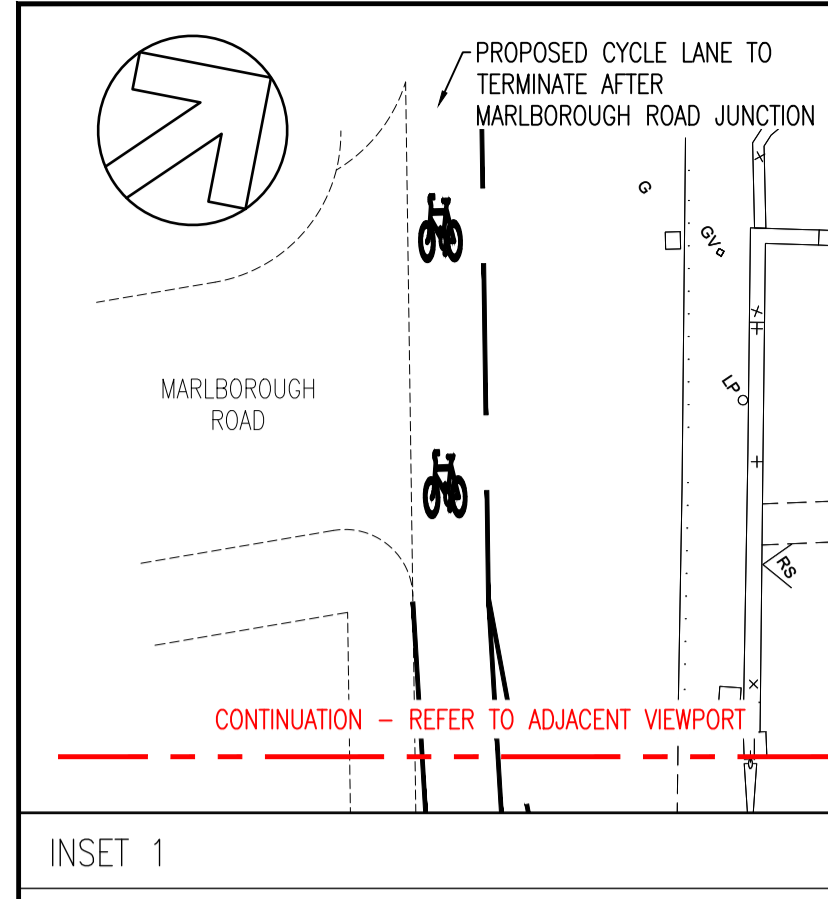
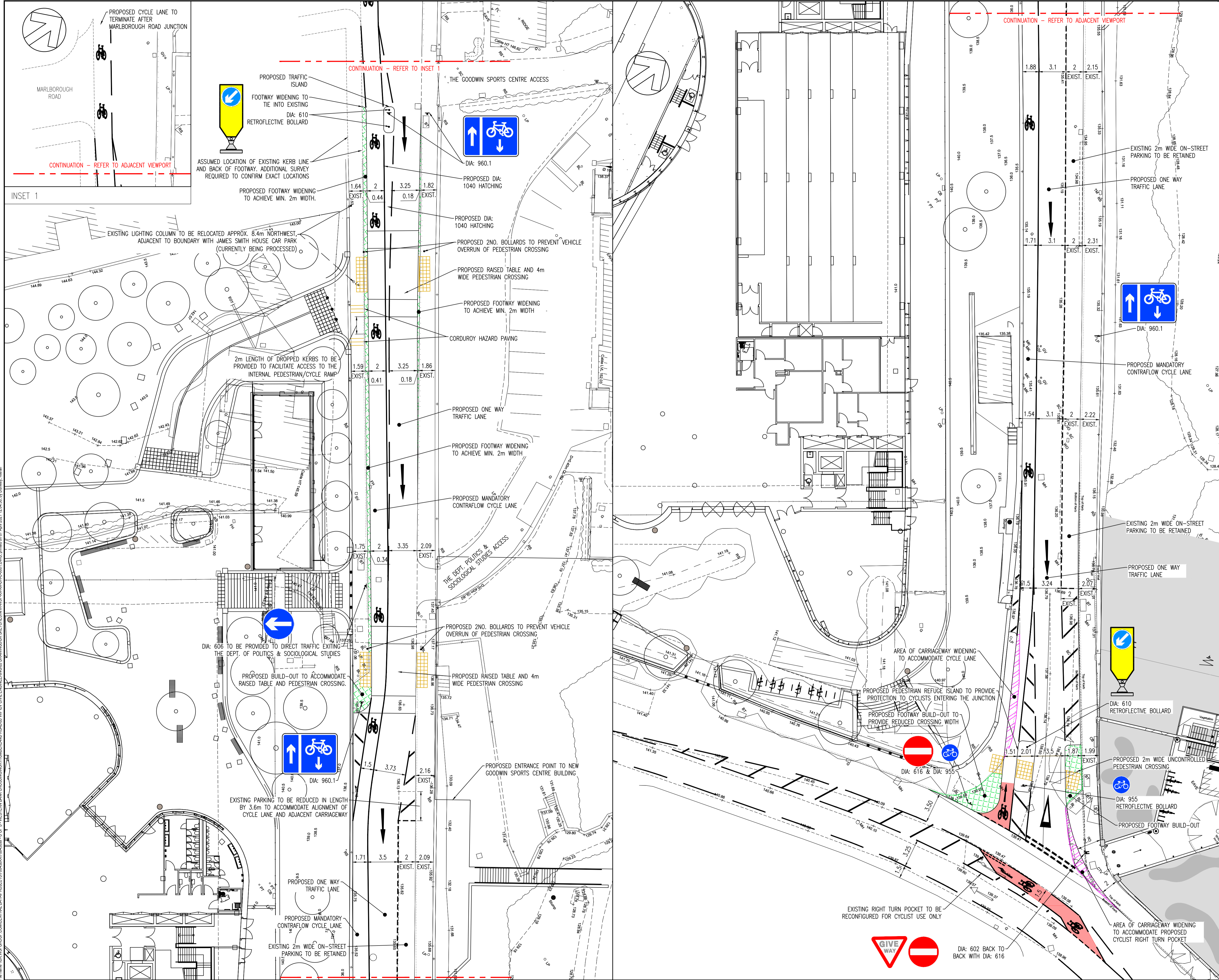
SITE/PROJECT: NORTHUMBERLAND ROAD, SHEFFIELD
POTENTIAL S278 SCHEME

TITLE: CONTRAFLOW CYCLE LANE

SCALE @ A1:	1:200	CHECKED:	SP	APPROVED:	SP
PROJECT NO:	70045899	DESIGNED:	JG	DATE:	April 21

DRAWING NO: NHR-WSP-XX-XX-DR-C-0001 REV: P04

© WSP UK Ltd



File name: I:\UK\WSPGROUP\CONCENTRAL DATAPROJECTS\70045899\04\DR-C-0001.DWG, printed on 07 April 2021 12:04:30, by Dunley, Kieran